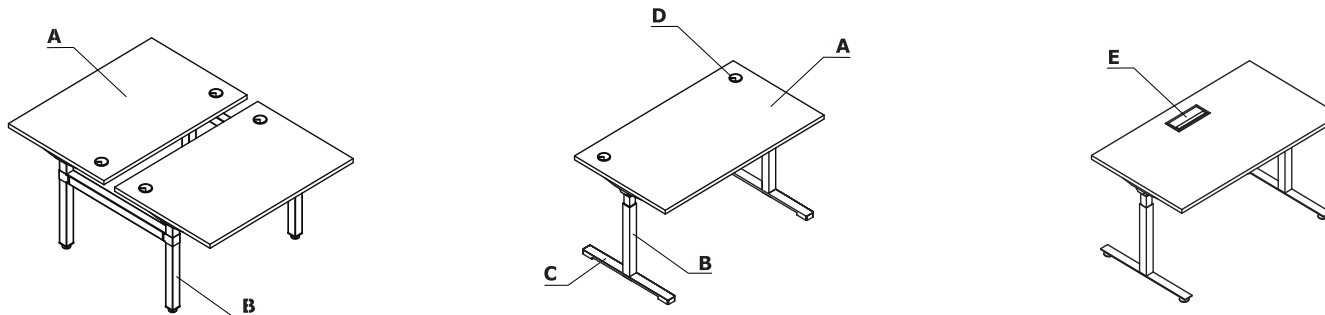


Coloris - Ogi Drive



| Matériau | Couleurs | Bureaux | | | | | | | | | | | | | | | | |
|------------------------|-----------------------|-------------|---------------|--------------|-------------------|-----------------------------|--|--|--|--|--|--|--|--|--|--|--|--|
| | | A - Plateau | B - Piétement | C - Pied Pro | D - Passes câbles | E - Mediabox M15, M14, M14H | | | | | | | | | | | | |
| Mélaminé | 08 - noir | ✓ | | | | | | | | | | | | | | | | |
| | 26 - aluminium satiné | ✓ | | | | | | | | | | | | | | | | |
| | 31 - chêne canadien | ✓ | | | | | | | | | | | | | | | | |
| | 39 - bouleau clair | ✓ | | | | | | | | | | | | | | | | |
| | 64 - cacao | ✓ | | | | | | | | | | | | | | | | |
| | 67 - blanc pastel | ✓ | | | | | | | | | | | | | | | | |
| | 106 - noyer | ✓ | | | | | | | | | | | | | | | | |
| | 154 - anthracite | ✓ | | | | | | | | | | | | | | | | |
| | 167 - chêne gris | ✓ | | | | | | | | | | | | | | | | |
| | 168 - chêne naturel | ✓ | | | | | | | | | | | | | | | | |
| | 169 - chêne miel | ✓ | | | | | | | | | | | | | | | | |
| | 170 - acacia | ✓ | | | | | | | | | | | | | | | | |
| | 171 - noyer foncé | ✓ | | | | | | | | | | | | | | | | |
| | 174 - beige mat | ✓ | | | | | | | | | | | | | | | | |
| | 02 - gris | ✓ | | | | | | | | | | | | | | | | |
| 183 - FENIX - noir mat | ✓* | | | | | | | | | | | | | | | | | |

* option avec supplément : plan de travail stratifié HPL FENIX - chants 08 - noir ou 160 - frêne (avec supplément)

| Matériau | Couleurs | Bureaux | | | | | | | | | | | | | | | | |
|---------------|---|-------------|---------------|--------------|-------------------|-----------------------------|--|--|--|--|--|--|--|--|--|--|--|--|
| | | A - Plateau | B - Piétement | C - Pied Pro | D - Passes câbles | E - Mediabox M15, M14, M14H | | | | | | | | | | | | |
| Polypropylène | 02 - gris | | | | ✓ | ✓ | | | | | | | | | | | | |
| | 08 - noir | | | | ✓ | ✓ | | | | | | | | | | | | |
| | 24 - beige | | | | ✓ | ✓ | | | | | | | | | | | | |
| | 67 - blanc pastel | | | | ✓ | ✓ | | | | | | | | | | | | |
| | 154 - anthracite | | | | | ✓ | | | | | | | | | | | | |
| Métal | M009 - aluminium semi-mat RAL 9006 | | ✓ | ✓ | | | | | | | | | | | | | | |
| | M015 - blanc semi-mat RAL 9010 | | ✓ | ✓ | | | | | | | | | | | | | | |
| | M154 - anthracite semi-mat RAL 7043 | | ✓ | ✓ | | | | | | | | | | | | | | |
| | M115 - noir semi-mat RAL 9005 | | ✓ | ✓ | | | | | | | | | | | | | | |
| | 25 - aluminium poli | | | ✓* | | | | | | | | | | | | | | |
| | M026 - olive semi-mat RAL 6013 | | ✓** | ✓** | | | | | | | | | | | | | | |
| | M027 - bleu semi-mat RAL5003 | | ✓** | ✓** | | | | | | | | | | | | | | |
| | M028 - orange brique semi-mat RAL 0404040 | | ✓** | ✓** | | | | | | | | | | | | | | |
| | M029 - jaune semi-mat RAL 0807060 | | ✓** | ✓** | | | | | | | | | | | | | | |
| | M030 - beige semi-mat RAL 0608005 | | ✓** | ✓** | | | | | | | | | | | | | | |

* pied prix majoré de 27 € par pied (1pce.) soit par bureau (54 €)

** OPTION AVEC PLUS VALUE